

LCT RT43

8 1/2"x14" Paper Size Tray Type 1075
(B473/B474)

**LCT RT43
8 1/2"x14"Paper Size Tray Type 1075
(B473/B474)**

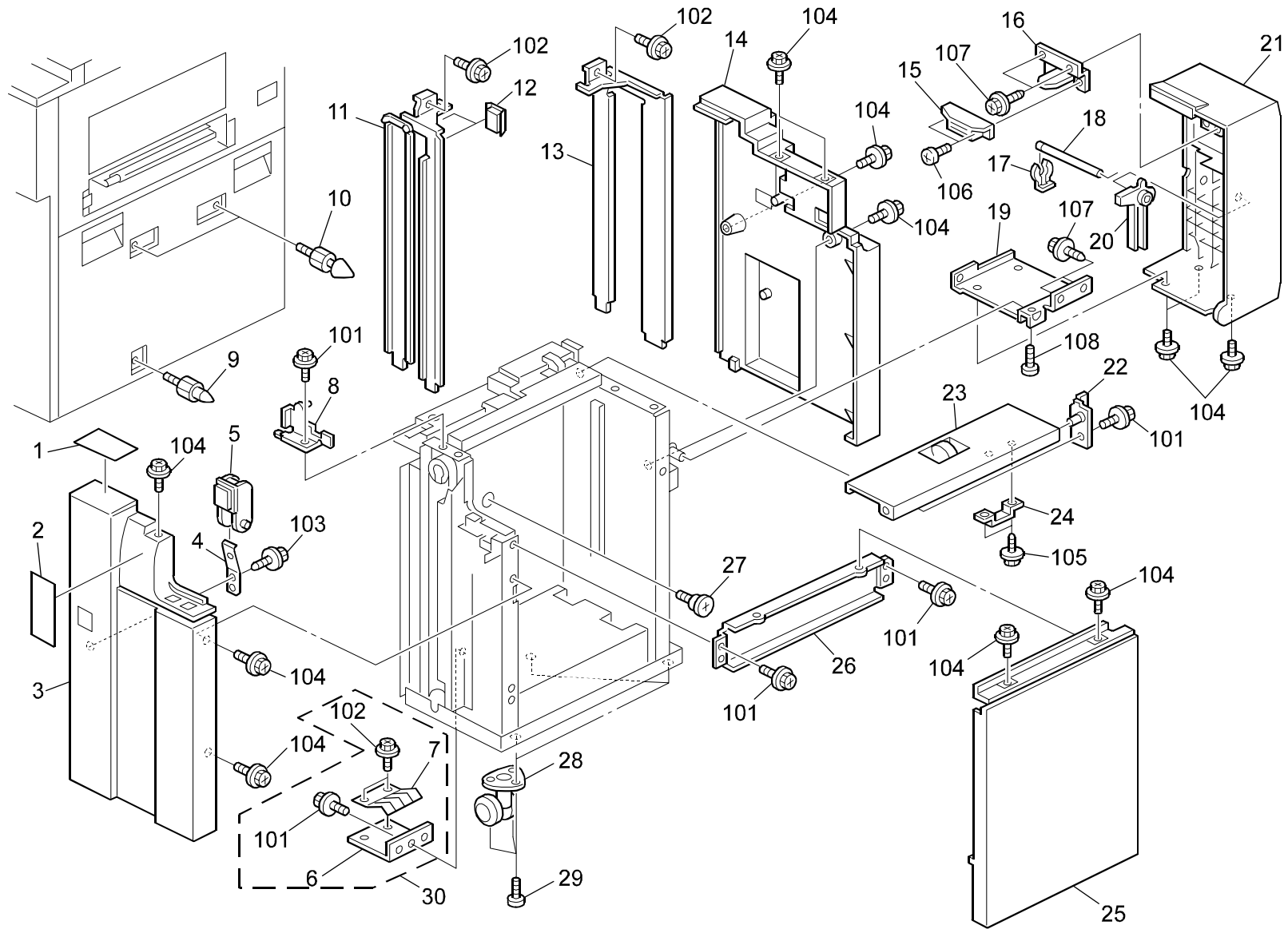
PARTS CATALOG

This catalog gives the numbers and names of parts on this machine.

1.EXTERIOR (B473).....	2
2.PAPER FEED 1 (B473)	4
3.PAPER FEED 2 (B473)	6
4.TRAY DRIVE 1 (B473)	8
5.TRAY DRIVE 2 (B473)	10
6.TRAY DRIVE 3 (B473)	12
7.TRAY EXTENSION KIT (B474).....	14
8.MAIN CONTROL BOARD (B473)	16
9.DECALS AND DOCUMENTS (B473/B474)	18
PARTS INDEX.....	21

April ,8 ' 2005

1.EXTERIOR (B473)

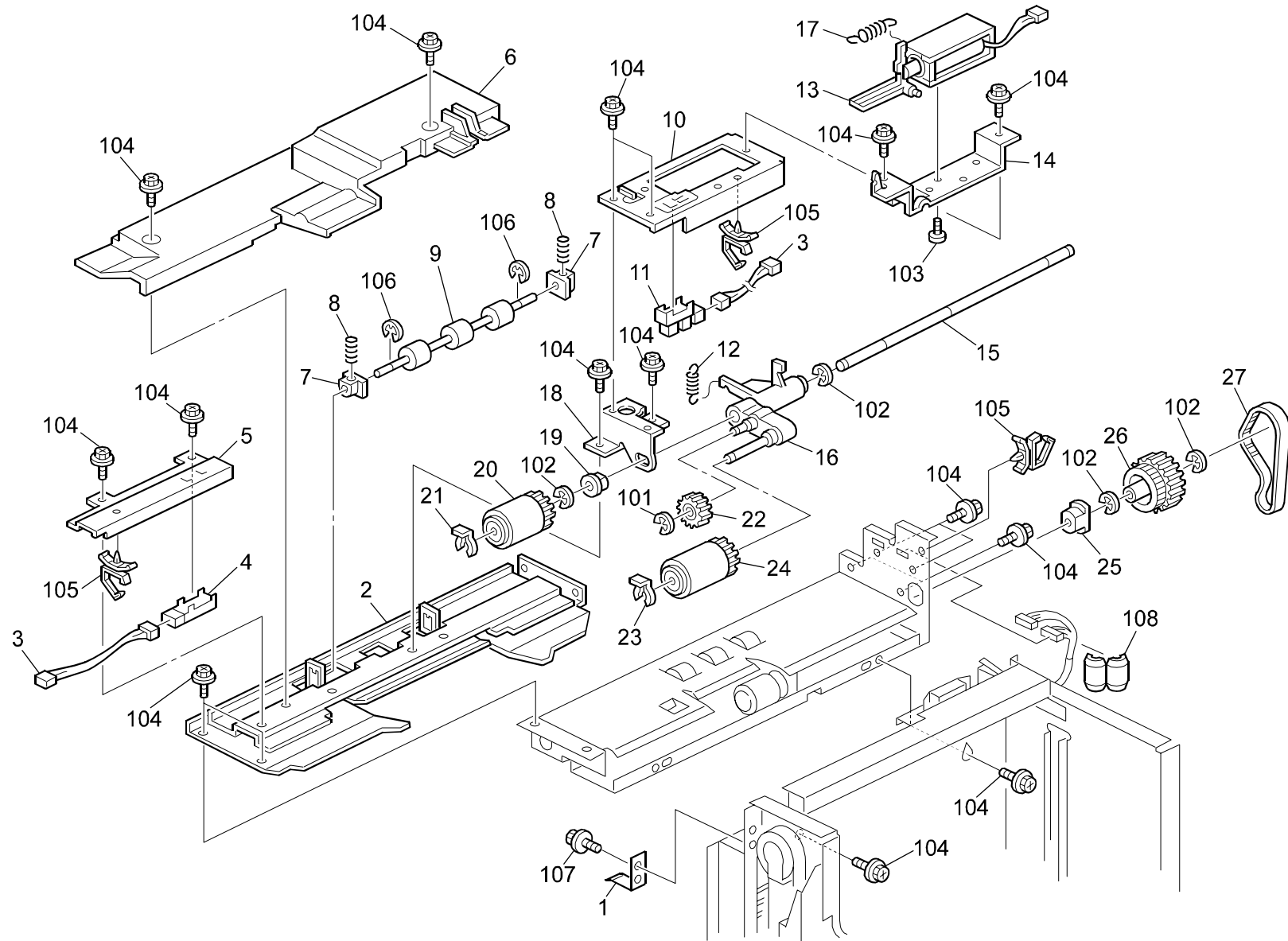


1.EXTERIOR (B473)

Index No.	Part No.	Description	Q'ty Per Assembly
1	AA00 3030	Decal - Misfeed Removal	1
2	AA00 3031	Decal - Paper Set	1
3	B473 1151	Front Cover	1
4	B473 1156	Lever Spring Plate	1
5	B473 1155	Lock Lever	1
6	B473 1841	Grounding Plate Bracket	1
7	B473 1842	Base Grounding Plate	1
8	B473 1211	Front Hinge - Misfeed Removal	1
9	AA14 3777	Lower Docking Pin	1
10	AA14 3776	Upper Docking Pin	2
11	B473 1900	Front Side Fence	1
12	B473 1914	Plate	2
13	B473 1920	Rear Side Fence	1
14	B473 1161	Rear Cover	1
15	AG07 0004	Magnetic Catch	1
16	B473 1232	Door Catcher - LCT	1
17	5447 2681	Snap Ring	1
18	AA14 0815	End Fence Shaft	1
19	B473 1231	Angle Hinge	1
20	A698 1234	End Fence - LCT	1
21	B473 1221	Upper Cover	1
22	B473 1215	Rear Hinge	1
23	B473 1203	Cover: Misfeed Removal	1
24	B473 1298	Plate - Misfeed Removal	1
25	B473 1251	Right Cover	1
26	B473 1356	Right Stay	1
27	AA14 3718	Stepped Screw - M4	1
28	AH01 2007	Caster - 40kgf	3
29	A548 1611	Philips Pan Head Screw - M4x6	9
30	B473 1840	Grounding Plate - Base	1

Index No.	Part No.	Description	Q'ty Per Assembly
101	0451 4008N	Philips Tapping Screw - M4x8	
102	0802 5282	Tapping Screw - M4x8	
103	0450 3010N	Tapping Screw - M3x10	
104	0451 4008N	Tapping Screw - 4x8	
105	0450 4010N	Tapping Screw - 4x10	
106	0314 0060N	Philips Pan Head Screw - M4x6	
107	0450 3008N	Tapping Screw - M3x8	
108	0314 0120N	Philips Pan Head Screw - M4x12	

2.PAPER FEED 1 (B473)

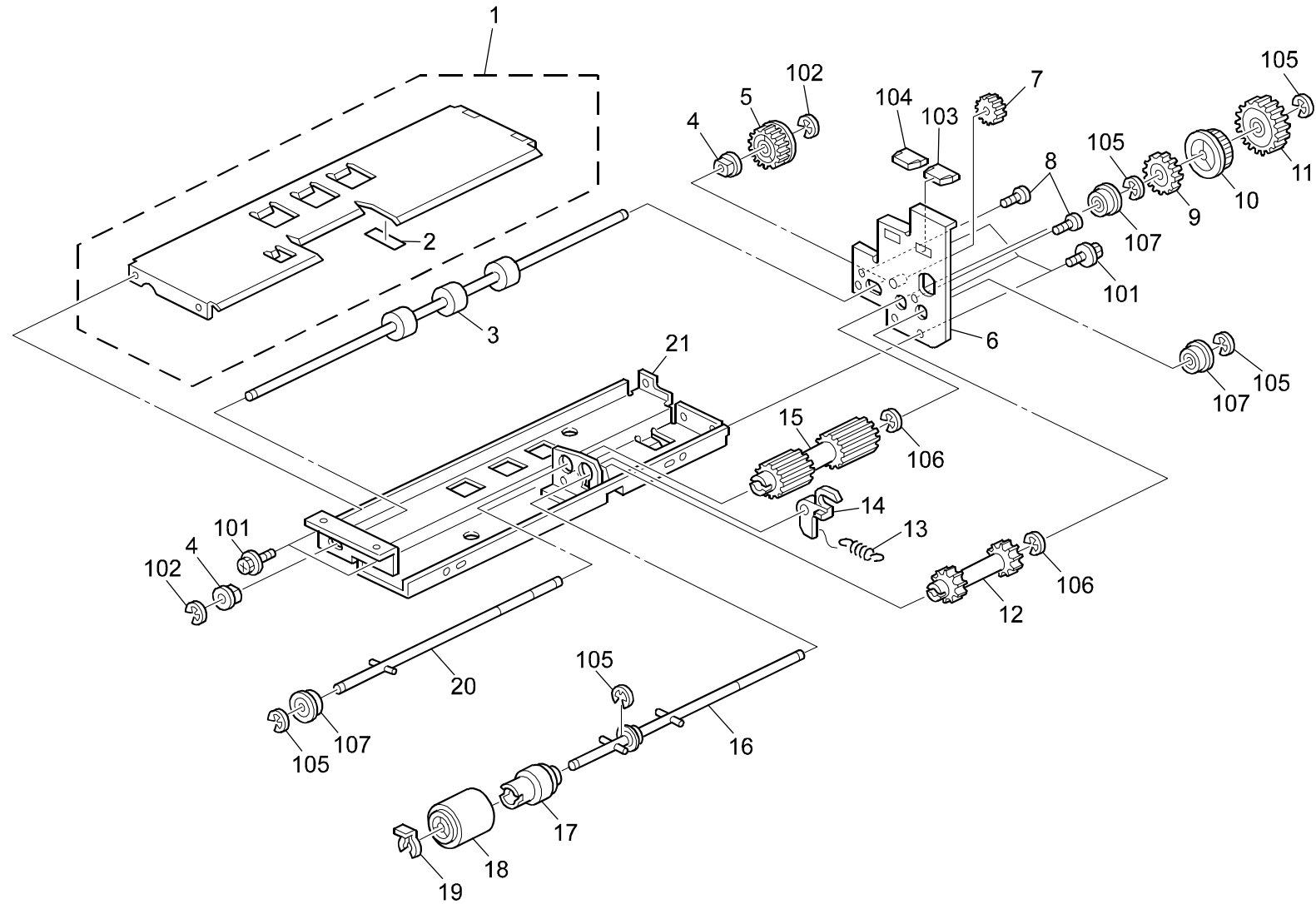


2.PAPER FEED 1 (B473)

Index No.	Part No.	Description	Q'ty Per Assembly
1	B473 1362	Grounding Plate - Paper Feed Unit	1
2	B473 2351	Entrance Guide Plate	1
3	B473 5320	Harness - Paper Feed Unit	2
4	AW01 0098	Photointerrupter - GP2A231LRSA	1
5	B473 2331	Sensor Bracket	1
6	B473 2431	Inner Cover	1
7	AA08 0034	Bushing - 4x5x7	2
8	AA06 3852	Pressure Spring	2
9	AF02 0489	Transport Relay Roller	1
10	B473 2271	Upper Stay	1
11	AW02 0056	Photointerruptor - EE-SX4235A-P1	1
12	AA06 0747	Pressure Spring	1
13	A380 2280	Pick-up Solenoid	1
14	B473 2281	Solenoid Housing	1
15	AA14 0812	Feed Roller Shaft	1
16	A380 2211	Pick-up Arm	1
17	A380 2460	Pick-up Release Spring	1
18	B473 2353	Feed Roller Bracket	1
19	AA08 2070	Bushing - 8x16x7	1
20	AF03 1081	Paper Feed Roller:Feed:Manual Feed	1
21	5215 2621	Snap Ring - M6	1
22	5447 2706	Gear - 15T	1
23	5447 2681	Snap Ring	1
24	AF03 0080	Paper Feed Roller:Pickup	1
25	AA08 3015	Roller Clutch	1
26	AB01 7603	Timing Pulley - Feed	1
27	AA04 3944	Timing Belt - S2MT140	1

Index No.	Part No.	Description	Q'ty Per Assembly
101	0720 0040E	Retaining Ring - M4	
102	0720 0060E	Retaining Ring - M6	
103	0313 0040N	Philips Pan Head Screw - M3x4	
104	0451 4008N	Philips Tapping Screw - M4x8	
105	1105 0511	Harness Clamp - LWS-0306ZC	
106	0720 0030E	Retaining Ring - M3	
107	0802 5282	Tapping Screw - M4x8	
108	1607 0621	Sleeve Core - SFC-4	

3.PAPER FEED 2 (B473)

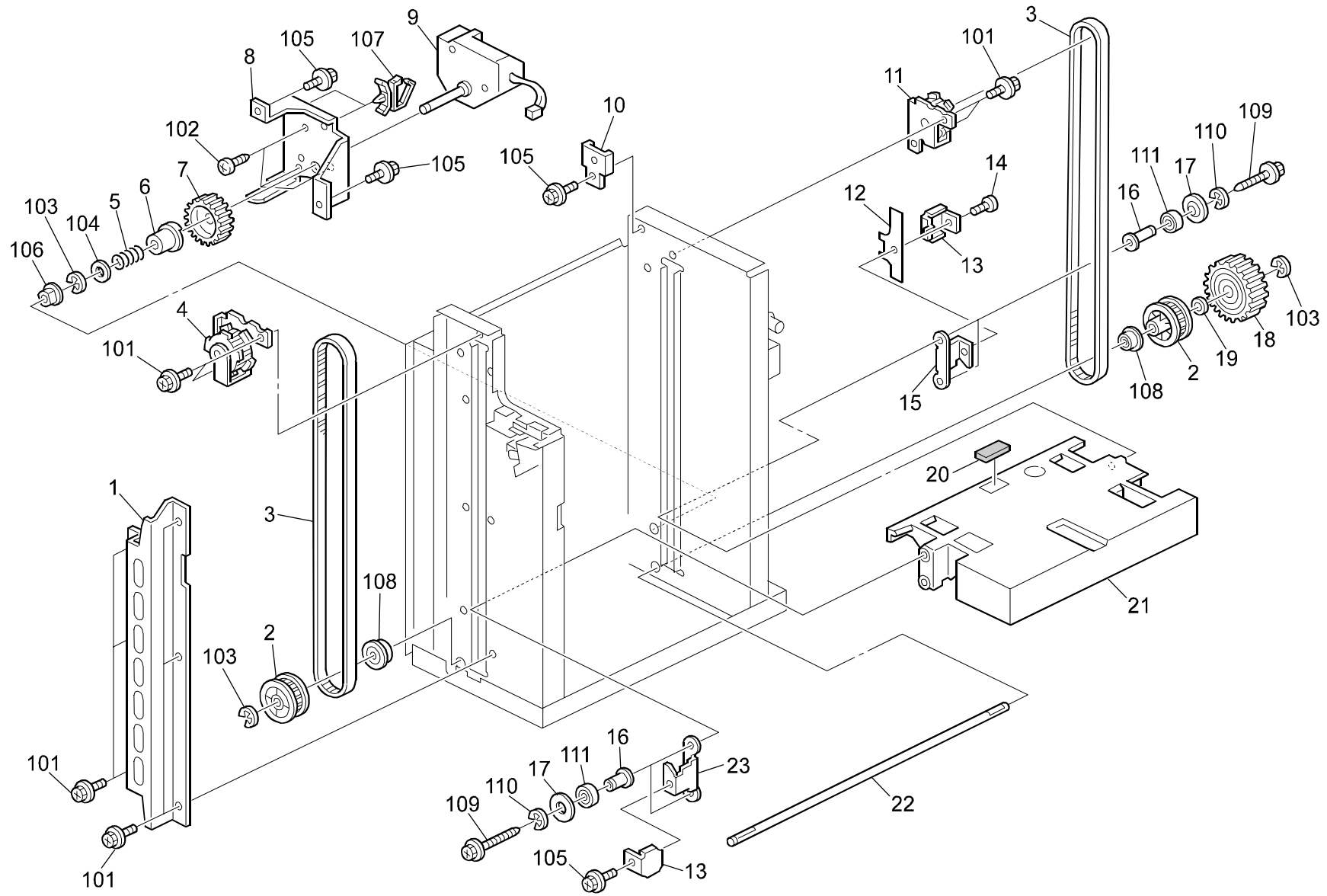


3.PAPER FEED 2 (B473)

Index No.	Part No.	Description	Q'ty Per Assembly
1	B473 2360	Lower Guide Plate	1
2	A698 2362	Shock Absorber	1
3	AF02 0561	Transport Roller	1
4	AA08 2070	Bushing - 8x16x7	2
5	AB01 4227	Gear - Z22	1
6	B473 2151	Rear Side Plate	1
7	AB01 4228	Idler Gear - Z15	1
8	5875 2088	Shoulder Screw - M4	2
9	AB01 4226	Grip Gear - Z22	1
10	AB03 0721	Timing Pulley - Drive	1
11	AB01 4225	Drive Gear - Z31	1
12	AB01 1391	Driven Reverse Gear - 21z	1
13	AA06 2344	Spring:Pressure:Reverse	1
14	A683 2666	Pressure Lever	1
15	AB01 1392	Drive Reverse Gear - 24z	1
16	B473 2262	Shaft:Driven:Reverse	1
17	B065 6399	Torque Limiter	1
18	AF03 2080	Paper Feed Roller:Separate	1
19	5447 2681	Snap Ring	1
20	B473 2252	Shaft:Drive:Reverse	1
21	B473 2111	Base - Paper Feed Unit	1

Index No.	Part No.	Description	Q'ty Per Assembly
101	0451 4008N	Philips Tapping Screw - M4x8	
102	0720 0060E	Retaining Ring - M6	
103	1102 6246	Relay Connector - 4P	
104	1102 6245	Relay Connector - 2P	
105	0720 0040E	Retaining Ring - M4	
106	0573 0030E	Hexagon Headless Set Screw - M3x3	
107	0805 3145	Ball Bearing - 6x12x4mm	

4. TRAY DRIVE 1 (B473)

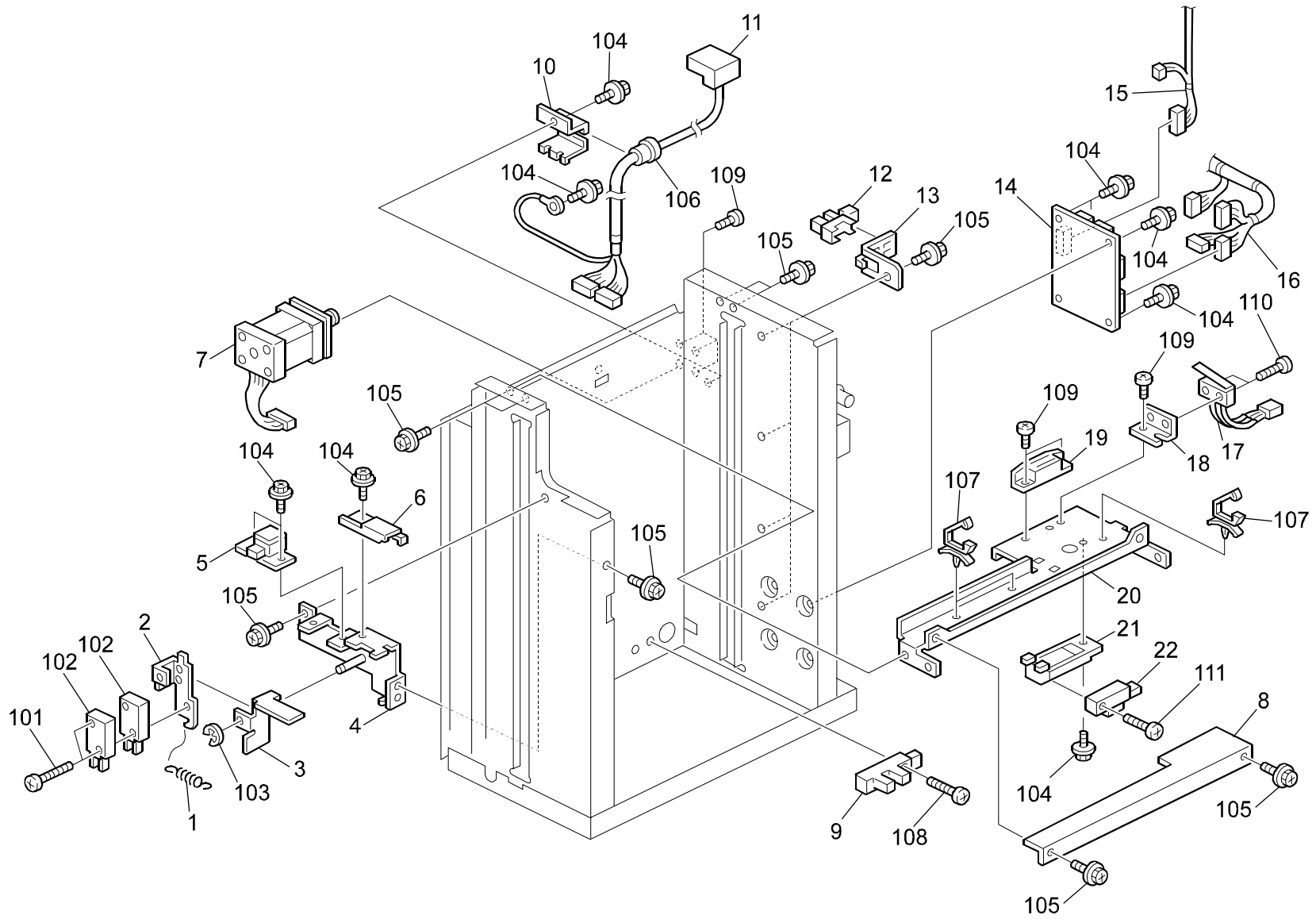


4. TRAY DRIVE 1 (B473)

Index No.	Part No.	Description	Q'ty Per Assembly
1	B473 1381	Front Support Plate	1
2	A380 1803	Timing Pulley - S5M 22Z	2
3	AA04 3943	Timing Belt - S5M227	2
4	B473 1820	Front Idler Bracket	1
5	A380 1436	Pressure Spring	1
6	A609 1602	Joint - Drive	1
7	A609 1603	Drive Gear	1
8	B473 1601	Motor Bracket	1
9	C407 5550	DC Motor	1
10	B473 1213	Rear Bracket - Misfeed	1
11	B473 1825	Rear Idler Bracket	1
12	B473 1811	Sensor Shield Plate	1
13	A380 1810	Timing Belt Clamp	2
14	5875 2088	Shoulder Screw - M4	1
15	B473 1752	Rear Bracket - Timing Belt	1
16	A380 1752	Roller Shaft	4
17	A380 1754	Ball Bearing Guide	4
18	A380 1806	Drive Gear - 42Z	1
19	A042 2568	Spacer - 8.1x10x3.7	1
20	A421 2543	Friction Pad	1
21	B473 1785	Table	1
22	AA14 0811	Rise Shaft	1
23	B473 1751	Front Bracket - Timing Belt	1

Index No.	Part No.	Description	Q'ty Per Assembly
101	0802 5282	Tapping Screw - M4x8	
102	0452 4010B	Tapping Bind Screw - M4x10	
103	0720 0050E	Retaining Ring - M5	
104	0807 5066	Washer - M8.1xM14x0.3	
105	0451 4008N	Philips Tapping Screw - M4x8	
106	0805 3389	Bushing - 8x10x6mm	
107	1105 0508	Harness Clamp - LWS-0711	
108	0742 3808	Ball Bearing - 8x16x5	
109	0450 4025N	Tapping Screw With Washer - M4x25	
110	0720 0060E	Retaining Ring - M6	
111	0805 3270	Ball Bearing - 8x16x5mm	

5. TRAY DRIVE 2 (B473)

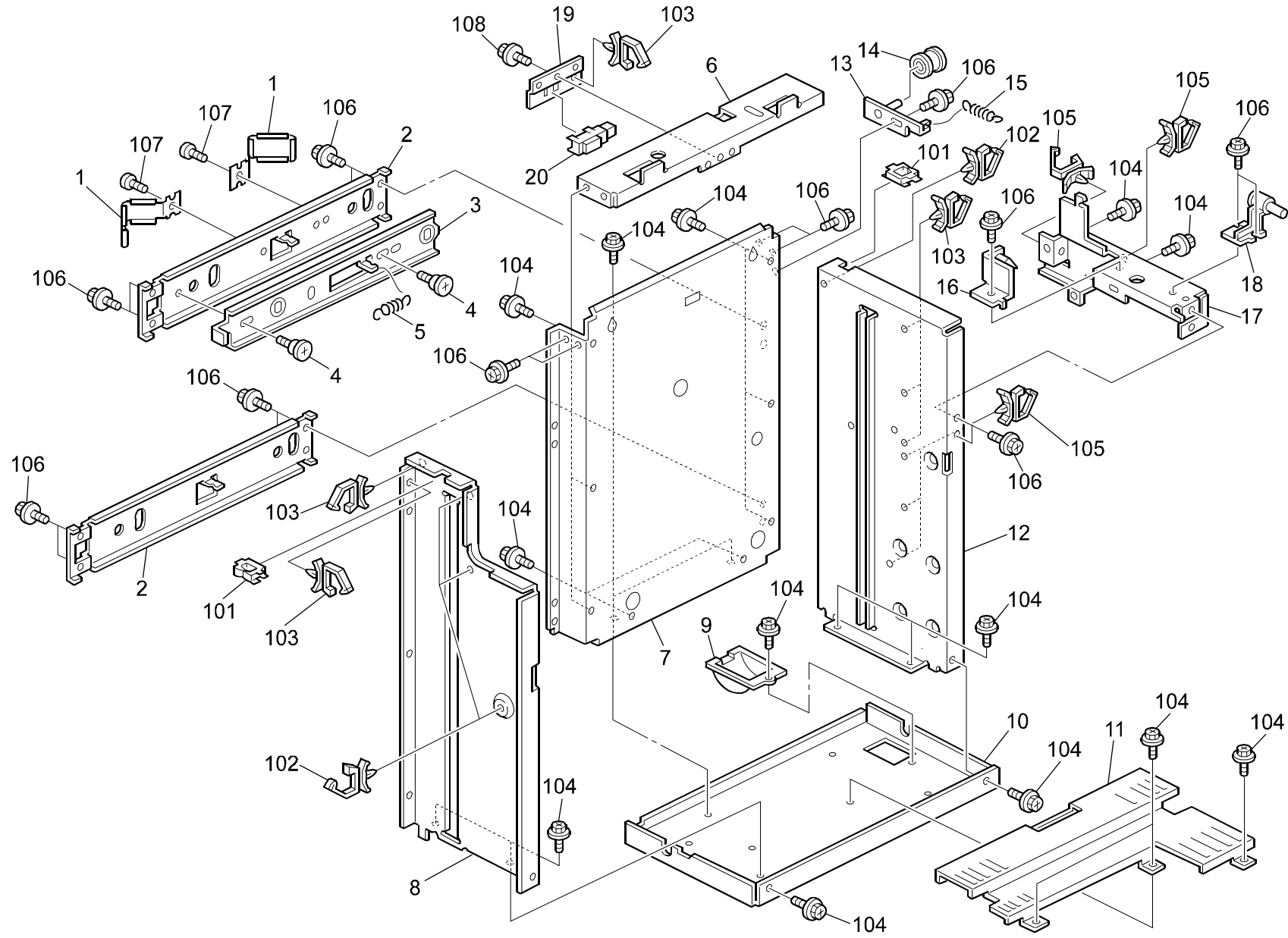


5. TRAY DRIVE 2 (B473)

Index No.	Part No.	Description	Q'ty Per Assembly
1	A380 2490	Reverse Roller Pressure Spring	1
2	B473 1261	Movable Bracket	1
3	B473 1262	Switch Plate	1
4	B473 1263	Switch Bracket	1
5	B473 5170	Push Switch	1
6	B473 1267	Magnetic Holder	1
7	B065 6323	Stepper Motor - Paper Feed	1
8	B473 1941	Positioning Plate	1
9	AW02 0012	Photointerruptor	1
10	B473 5331	Harness Bracket	1
11	B473 5330	Interface Harness	1
12	AW02 0086	Photointerruptor	4
13	B473 1375	Sensor Bracket	4
14	B473 5130	PCB:MAUI:Ass'y	1
15	B473 5310	Sensor Harness	1
16	B473 5301	Main Harness	1
17	B473 5340	Safety Switch Harness	1
18	B473 1343	Safety Switch Bracket	1
19	AG07 0004	Magnetic Catch	1
20	B473 1347	Upper Stay	1
21	B473 1346	Housing - Photointerrupter	1
22	AW01 0091	Photo Reflection Sensor	1

Index No.	Part No.	Description	Q'ty Per Assembly
101	0313 0250N	Philips Pan Head Screw - M3x25	
102	1204 2582	Switch - V5F910DN	
103	0720 0040E	Retaining Ring - M4	
104	0451 4008N	Philips Tapping Screw - M4x8	
105	0802 5282	Tapping Screw - M4x8	
106	1106 0289	Bushing - Sr-5n-1	
107	1105 0487	Harness Clamp	
108	0453 3010N	Binding Self Tapping Screw - M3x10	
109	0453 3006N	Tapping Screw - M3x6	
110	0352 0080N	Screw M2.5x8	
111	0452 3014N	Tapping Screw - M3x14	

6. TRAY DRIVE 3 (B473)

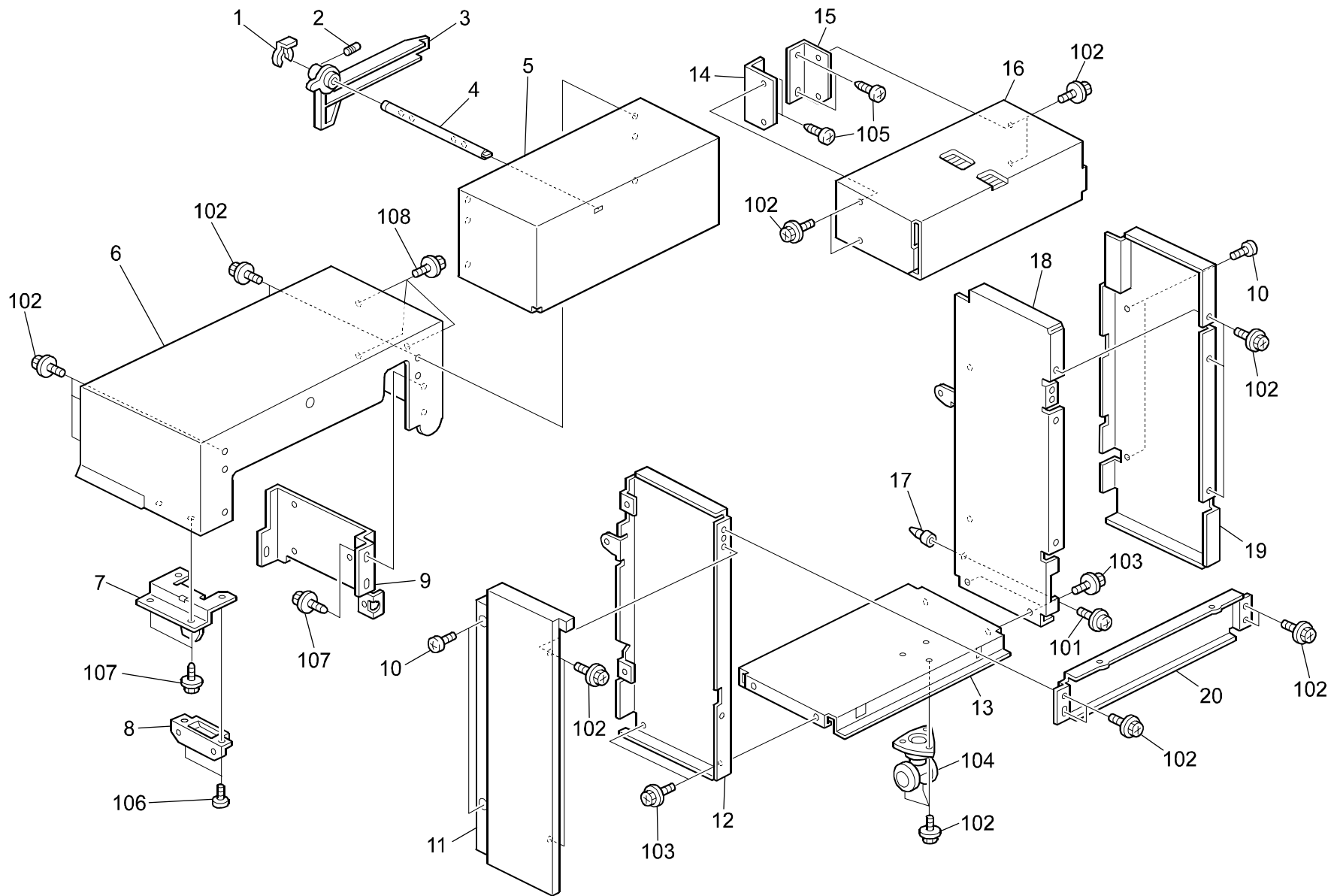


6. TRAY DRIVE 3 (B473)

Index No.	Part No.	Description	Q'ty Per Assembly
1	B473 1032	Grounding Plate	2
2	B473 1031	Lock Stay	2
3	B473 1033	Lock Slider	1
4	AA14 3403	Stepped Screw - 8x14x2.8	2
5	AA06 0813	Lock Spring	1
6	B473 1355	Stay - Paper Feed Unit	1
7	B473 1353	Left Bracket	1
8	B473 1361	Front Side Plate	1
9	B473 1357	Cover - Base	1
10	B473 1350	Base	1
11	B473 1942	Lower Positioning Plate	1
12	B473 1371	Rear Side Plate	1
13	B473 1365	Tightner Bracket	1
14	B312 1615	Tension Roller	1
15	AA06 0261	Spring	1
16	B473 1272	Hinge Bracket	1
17	B473 1271	Large Bracket	1
18	A380 1281	Hinge Rubber Cover	1
19	B473 1354	Bracket - Photointerrupter	1
20	AW01 0098	Photointerrupter - GP2A231LRSA	1

Index No.	Part No.	Description	Q'ty Per Assembly
101	1105 0113	Edge - P108	
102	1105 0487	Harness Clamp	
103	1105 0511	Harness Clamp - LWS-0306ZC	
104	0802 5282	Tapping Screw - M4x8	
105	1105 0508	Harness Clamp - LWS-0711	
106	0451 4008N	Philips Tapping Screw - M4x8	
107	0453 3006N	Tapping Screw - M3x6	

7. TRAY EXTENSION KIT (B474)



7. TRAY EXTENSION KIT (B474)

Index No.	Part No.	Description	Q'ty Per Assembly
1	5447 2681	Snap Ring	1
2	5410 1291	Pin	1
3	B474 1234	End Fence - Option	1
4	B474 4307	End Fence Shaft - Option	1
5	B474 2112	Small Upper Cover	1
6	B474 1221	Large Upper Cover	1
7	B473 1232	Door Catcher - LCT	1
8	AG07 0004	Magnetic Catch	1
9	B473 1231	Angle Hinge	1
10	5875 2088	Shoulder Screw - M4	4
11	B474 4312	Front Cover - Option	1
12	B474 4202	Front Side Plate - Option	1
13	B474 4201	Base - Option	1
14	B474 4103	Front Bracket - Option	1
15	B474 4104	Rear Bracket - Option	1
16	B474 4101	Option Tray	1
17	B375 4305	Guide Pin	1
18	B474 4203	Rear Side Plate - Option	1
19	B474 4321	Rear Cover - Option	1
20	B473 1356	Right Stay	1

Index No.	Part No.	Description	Q'ty Per Assembly
101	0960 3006B	Philips Flange Screw - M3 X 6	
102	0451 4008N	Philips Tapping Screw - M4x8	
103	0802 5282	Tapping Screw - M4x8	
104	0805 5003	Caster	
105	0414 0082N	Binding Self Tapping Screw - M4x8	
106	0314 0060N	Philips Pan Head Screw - M4x6	
107	0450 3008N	Tapping Screw - M3x8	
108	0451 4008H	Tapping Screw - 4x8	

8.MAIN CONTROL BOARD (B473)

CAPACITOR

SYMBOL NO.	INDEX NO.
C100	131
C101	130
C102	149
C103	149
C104	149
C105	129
C106	149
C107	130
C108	149
C109	149

SYMBOL NO.	INDEX NO.
C110	149
C111	148
C112	148
C113	148
C114	148
C115	148
C116	148
C117	148
C118	148
C119	147

SYMBOL NO.	INDEX NO.
C120	149
C121	148
C122	148
C123	148
C124	148
C125	150
C126	146
C127	146
C128	150
C129	148

SYMBOL NO.	INDEX NO.
C130	148
C131	148
C132	129
C133	148
C134	150
C135	149
C136	148
C137	147
C138	150
C139	147

SYMBOL NO.	INDEX NO.
C140	150
C141	147
C142	150
C143	150
C144	150
C145	149
C146	148

CONNECTOR

SYMBOL NO.	INDEX NO.
CN101	104
CN102	108
CN103	107
CN104	102
CN105	103
CN106	101
CN107	109
CN110	105
CN111	106

DIODE

SYMBOL NO.	INDEX NO.
D100	114

IC

SYMBOL NO.	INDEX NO.
IC100	1
(clip)	110
IC101	122
IC102	119
IC103	118
IC104	117
IC105	2
IC106	121
IC107	120

JP

SYMBOL NO.	INDEX NO.
JP100	128
JP101	

OSC

SYMBOL NO.	INDEX NO.
OSC100	123

PC

SYMBOL NO.	INDEX NO.
PC100	116

Q

SYMBOL NO.	INDEX NO.
Q100	112
Q101	112

RESISTOR

SYMBOL NO.	INDEX NO.
R100	133
R101	134
R102	134
R103	133
R104	134
R105	139
R106	111
R107	127
R108	140
R109	142

SYMBOL NO.	INDEX NO.
R110	141
R111	139
R112	137
R113	135
R114	132
R115	137
R116	133
R117	134
R118	134
----	---

8.MAIN CONTROL BOARD (B473)

RESISTOR

SYMBOL NO.	INDEX NO.
----	---
R121	136
R122	138
R123	134
R124	134
R125	139
R126	134
R127	139
----	---
R129	144

SYMBOL NO.	INDEX NO.
R130	145
R131	143

RN

SYMBOL NO.	INDEX NO.
RN100	124
RN101	126
RN102	124
RN103	126
RN104	124
RN105	126
RN106	126
RN107	124
RN108	124
RN109	126

SYMBOL NO.	INDEX NO.
RN110	124
RN111	126
RN112	124
RN113	126
RN114	126
RN115	124
RN116	124
RN117	124
RN118	125

ZD

SYMBOL NO.	INDEX NO.
ZD100	115

8.MAIN CONTROL BOARD (B473)

Index No.	Part No.	Description	Q'ty Per Assembly
*	B473 5110	Main Control Board	1
1	B473 5151	PROM:Printed Circuit Board:MAUI	1
	B473 5150	X/O MB3	

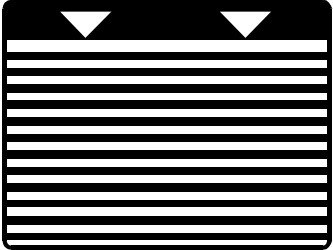
Index No.	Part No.	Description	Q'ty Per Assembly
101	1102 4201	Connector - 2P	
102	1102 4209	CT Header - 10P	
103	1102 4211	CT Header - 12P	
104	1102 6299	Connector - 6P	
105	1102 6301	Connector - 8P	
106	1102 6302	Connector - 9P	
107	1102 6304	Connector - 11P	
108	1102 7029	Connector - 8P - 53375-0810	
109	1102 8210	Connector - 2P	
110	1104 0413	Connector - 28P	
111	1109 0016	Circuit Protector - SMD075	
112	1400 0398	Transistor - 2SC2412K	
113	1400 0733	Transistor - 2SD1866	
114	1402 1342	Diode - 1SR154-400	
115	1402 1380	Diode - PTZ 6.2A	
116	1403 0961	Photocoupler - TLP181	
117	1407 1596	TTLIC - SN74LS14NS	
118	1407 2187	TTLIC - SN74LS07NS	
119	1407 2252	TTL - SN74LS257BNS	
120	1407 5744	IC - STK672-330	
121	1408 0611	IC - 3771	
122	1408 0827	IC - TA8429H	
123	1503 0865	Oscillator - 9.8304MHZ	
124	1601 7751	Resistor - 4.7K Ω \pm 5%	
125	1601 7752	Resistor Array - 10K Ω \pm 5%	
126	1601 7753	Resistor - 47 Ω \pm 5%	
127	1611 9222	Resistor - 2.2K Ω \pm 5% 1/2W	
128	1633 0000	Resistor - 0 Ω 1/10W	
129	1640 5100	Capacitor - 10 μ F \pm 20% 50	
130	1640 5101	Capacitor - 100 μ F \pm 20% 50V	
131	1640 5470	Capacitor - 47 μ F \pm 20% 50V	
132	1650 4100	Resistor - 10 Ω \pm 5% 1/10W	
133	1650 4102	Resistor - 1K Ω \pm 5% 1/10W	
134	1650 4103	Resistor - 10K Ω \pm 5% 1/10W	
135	1650 4161	Resistor - 160 Ω \pm 5% 1/10W	

Index No.	Part No.	Description	Q'ty Per Assembly
136	1650 4201	Resistor - 200Ω±5%1/10W	
137	1650 4222	Resistor - 2.2KΩ±5%1/10W	
138	1650 4331	Resistor - 330Ω±5%1/10W	
139	1650 4472	Resistor - 4.7KΩ ±5% 1/10W	
140	1650 4473	Resistor - 47KΩ±5%1/10W	
141	1650 4562	Resistor - 5.6KΩ ±5% 1/10W	
142	1650 4682	Resistor - 6.8KΩ ±5% 1/10W	
143	1654 1001	Resistor - 1KΩ±1%1/10W	
144	1654 4750	Resistor - 475Ω ±1% 1/10W	
145	1654 8871	Resistor - 8.87KΩ ±1% 1/10W	
146	1660 2220	Capacitor - 22pF ±20% 35V	
147	1660 2471	Capacitor - 470pF - ±5% - 50V	
148	1660 4102	Capacitor - 1000pF ±10% 50V	
149	1660 4103	Capacitor - 10000pF - ±10% - 50V	
150	1660 8104	Capacitor - 0.1μF+80-20% 25V	

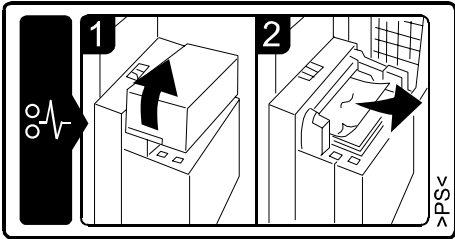
Index No.	Part No.	Description	Q'ty Per Assembly

9.DECALS AND DOCUMENTS (B473/B474)

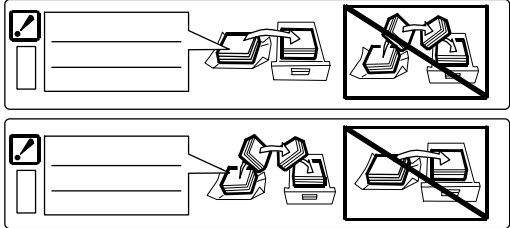
1



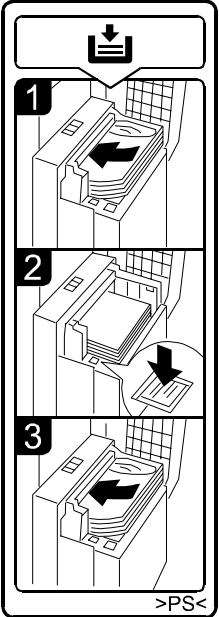
2



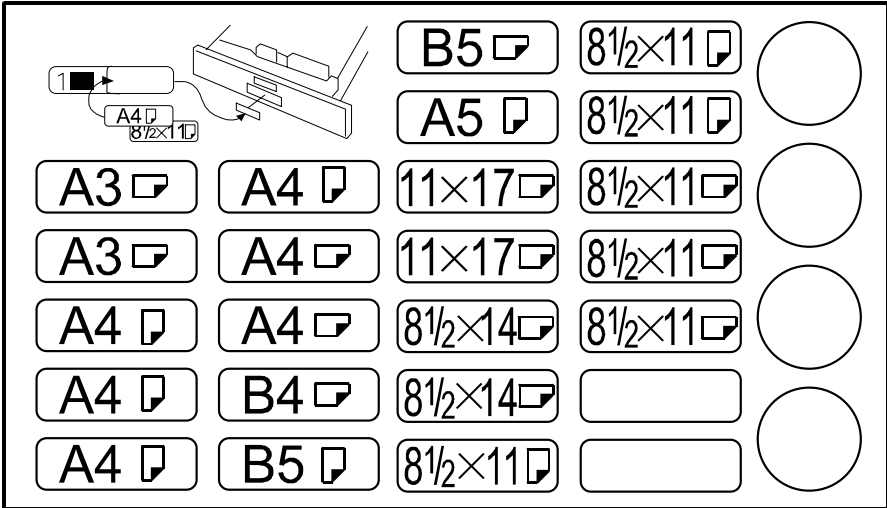
3

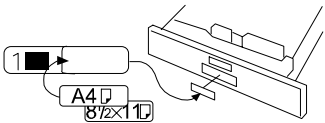


4



5



		B5	8 1/2 × 11	○
		A5	8 1/2 × 11	○
A3	A4	11 × 17	8 1/2 × 11	○
A3	A4	11 × 17	8 1/2 × 11	○
A4	A4	8 1/2 × 14	8 1/2 × 11	○
A4	B4	8 1/2 × 14		○
A4	B5	8 1/2 × 11		○

9.DECALS AND DOCUMENTS (B473/B474)

Index No.	Part No.	Description	Q'ty Per Assembly
1	AA00 2010	Decal - Paper Level	1
2	AA00 3030	Decal - Misfeed Removal	1
3	B070 1307	Caution Decal - Paper Set Direction	1
4	AA00 3031	Decal - Paper Set	1
5	B065 8490	Decal - Paper Size	1

Index No.	Part No.	Description	Q'ty Per Assembly

Parts Index

PM Parts Index

Section Name	Part No.	Description in Service Manual	Description in Parts Catalog	Q'ty Per Assembly	Page and Index No.
PAPER FEED 1 (B473)	AF03 1081	Feed Roller	Paper Feed Roller:Feed:Manual Feed	1	5 - 20
	AF03 0080	Pick-up Roller	Paper Feed Roller:Pickup	1	5 - 24
PAPER FEED 2 (B473)	AF03 2080	Separation Roller	Paper Feed Roller:Separate	1	7 - 18

Parts Index

Part No.	Description	Page and Index No.
B473 1031	Lock Stay	13 - 2
B473 1032	Grounding Plate	13 - 1
B473 1033	Lock Slider	13 - 3
B473 1151	Front Cover	3 - 3
B473 1155	Lock Lever	3 - 5
B473 1156	Lever Spring Plate	3 - 4
B473 1161	Rear Cover	3 - 14
B473 1203	Cover: Misfeed Removal	3 - 23
B473 1211	Front Hinge - Misfeed Removal	3 - 8
B473 1213	Rear Bracket - Misfeed	9 - 10
B473 1215	Rear Hinge	3 - 22
B473 1221	Upper Cover	3 - 21
B473 1231	Angle Hinge	3 - 19
B473 1231	Angle Hinge	15 - 9
B473 1232	Door Catcher - LCT	3 - 16
B473 1232	Door Catcher - LCT	15 - 7
B473 1251	Right Cover	3 - 25
B473 1261	Movable Bracket	11 - 2
B473 1262	Switch Plate	11 - 3
B473 1263	Switch Bracket	11 - 4
B473 1267	Magnetic Holder	11 - 6
B473 1271	Large Bracket	13 - 17
B473 1272	Hinge Bracket	13 - 16
B473 1298	Plate - Misfeed Removal	3 - 24
B473 1343	Safety Switch Bracket	11 - 18
B473 1346	Housing - Photointerrupter	11 - 21
B473 1347	Upper Stay	11 - 20
B473 1350	Base	13 - 10
B473 1353	Left Bracket	13 - 7
B473 1354	Bracket - Photointerrupter	13 - 19
B473 1355	Stay - Paper Feed Unit	13 - 6
B473 1356	Right Stay	15 - 20
B473 1356	Right Stay	3 - 26
B473 1357	Cover - Base	13 - 9
B473 1361	Front Side Plate	13 - 8

Part No.	Description	Page and Index No.
B473 1362	Grounding Plate - Paper Feed Unit	5 - 1
B473 1365	Tightner Bracket	13 - 13
B473 1371	Rear Side Plate	13 - 12
B473 1375	Sensor Bracket	11 - 13
B473 1381	Front Support Plate	9 - 1
B473 1601	Motor Bracket	9 - 8
B473 1751	Front Bracket - Timing Belt	9 - 23
B473 1752	Rear Bracket - Timing Belt	9 - 15
B473 1785	Table	9 - 21
B473 1811	Sensor Shield Plate	9 - 12
B473 1820	Front Idler Bracket	9 - 4
B473 1825	Rear Idler Bracket	9 - 11
B473 1840	Grounding Plate - Base	3 - 30
B473 1841	Grounding Plate Bracket	3 - 6
B473 1842	Base Grounding Plate	3 - 7
B473 1900	Front Side Fence	3 - 11
B473 1914	Plate	3 - 12
B473 1920	Rear Side Fence	3 - 13
B473 1941	Positioning Plate	11 - 8
B473 1942	Lower Positioning Plate	13 - 11
B473 2111	Base - Paper Feed Unit	7 - 21
B473 2151	Rear Side Plate	7 - 6
B473 2252	Shaft: Drive: Reverse	7 - 20
B473 2262	Shaft: Driven: Reverse	7 - 16
B473 2271	Upper Stay	5 - 10
B473 2281	Solenoid Housing	5 - 14
B473 2331	Sensor Bracket	5 - 5
B473 2351	Entrance Guide Plate	5 - 2
B473 2353	Feed Roller Bracket	5 - 18
B473 2360	Lower Guide Plate	7 - 1
B473 2431	Inner Cover	5 - 6
B473 5110	Main Control Board	17 - *
B473 5130	PCB: MAUI: Ass'y	11 - 14
B473 5150	X/O MB3	17 - 10
B473 5151	PROM: Printed Circuit Board: MAUI	17 - 1

Part No.	Description	Page and Index No.
B473 5170	Push Switch	11 - 5
B473 5301	Main Harness	11 - 16
B473 5310	Sensor Harness	11 - 15
B473 5320	Harness - Paper Feed Unit	5 - 3
B473 5330	Interface Harness	11 - 11
B473 5331	Harness Bracket	11 - 10
B473 5340	Safety Switch Harness	11 - 17
B474 1221	Large Upper Cover	15 - 6
B474 1234	End Fence - Option	15 - 3
B474 2112	Small Upper Cover	15 - 5
B474 4101	Option Tray	15 - 16
B474 4103	Front Bracket - Option	15 - 14
B474 4104	Rear Bracket - Option	15 - 15
B474 4201	Base - Option	15 - 13
B474 4202	Front Side Plate - Option	15 - 12
B474 4203	Rear Side Plate - Option	15 - 18
B474 4307	End Fence Shaft - Option	15 - 4
B474 4312	Front Cover - Option	15 - 11
B474 4321	Rear Cover - Option	15 - 19

Part No.	Description	Page and Index No.
A042 2568	Spacer - 8.1x10x3.7	9 - 19
A380 1281	Hinge Rubber Cover	13 - 18
A380 1436	Pressure Spring	9 - 5
A380 1752	Roller Shaft	9 - 16
A380 1754	Ball Bearing Guide	9 - 17
A380 1803	Timing Pulley - S5M 22Z	9 - 2
A380 1806	Drive Gear - 42Z	9 - 18
A380 1810	Timing Belt Clamp	9 - 13
A380 2211	Pick-up Arm	5 - 16
A380 2280	Pick-up Solenoid	5 - 13
A380 2460	Pick-up Release Spring	5 - 17
A380 2490	Reverse Roller Pressure Spring	11 - 1
A421 2543	Friction Pad	9 - 20
A548 1611	Philips Pan Head Screw - M4x6	3 - 29
A609 1602	Joint - Drive	9 - 6
A609 1603	Drive Gear	9 - 7
A683 2666	Pressure Lever	7 - 14
A698 1234	End Fence - LCT	3 - 20
A698 2362	Shock Absorber	7 - 2
B065 6323	Stepper Motor - Paper Feed	11 - 7
B065 6399	Torque Limiter	7 - 17
B065 8490	Decal - Paper Size	19 - 5
B070 1307	Caution Decal - Paper Set Direction	19 - 3
B312 1615	Tension Roller	13 - 14
B375 4305	Guide Pin	15 - 17
C407 5550	DC Motor	9 - 9

Part No.	Description	Page and Index No.
AA00 2010	Decal - Paper Level	19 - 1
AA00 3030	Decal - Misfeed Removal	3 - 1
AA00 3030	Decal - Misfeed Removal	19 - 2
AA00 3031	Decal - Paper Set	19 - 4
AA00 3031	Decal - Paper Set	3 - 2
AA04 3943	Timing Belt - S5M227	9 - 3
AA04 3944	Timing Belt - S2MT140	5 - 27
AA06 0261	Spring	13 - 15
AA06 0747	Pressure Spring	5 - 12
AA06 0813	Lock Spring	13 - 5
AA06 2344	Spring:Pressure:Reverse	7 - 13
AA06 3852	Pressure Spring	5 - 8
AA08 0034	Bushing - 4x5x7	5 - 7
AA08 2070	Bushing - 8x16x7	5 - 19
AA08 2070	Bushing - 8x16x7	7 - 4
AA08 3015	Roller Clutch	5 - 25
AA14 0811	Rise Shaft	9 - 22
AA14 0812	Feed Roller Shaft	5 - 15
AA14 0815	End Fence Shaft	3 - 18
AA14 3403	Stepped Screw - 8x14x2.8	13 - 4
AA14 3718	Stepped Screw - M4	3 - 27
AA14 3776	Upper Docking Pin	3 - 10
AA14 3777	Lower Docking Pin	3 - 9
AB01 1391	Driven Reverse Gear - 21z	7 - 12
AB01 1392	Drive Reverse Gear - 24z	7 - 15
AB01 4225	Drive Gear - Z31	7 - 11
AB01 4226	Grip Gear - Z22	7 - 9
AB01 4227	Gear - Z22	7 - 5
AB01 4228	Idler Gear - Z15	7 - 7
AB01 7603	Timing Pulley - Feed	5 - 26
AB03 0721	Timing Pulley - Drive	7 - 10
AF02 0489	Transport Relay Roller	5 - 9
AF02 0561	Transport Roller	7 - 3
AF03 0080	Paper Feed Roller:Pickup	5 - 24
AF03 1081	Paper Feed Roller:Feed:Manual Feed	5 - 20

Part No.	Description	Page and Index No.
AF03 2080	Paper Feed Roller:Separate	7 - 18
AG07 0004	Magnetic Catch	15 - 8
AG07 0004	Magnetic Catch	3 - 15
AG07 0004	Magnetic Catch	11 - 19
AH01 2007	Caster - 40kgf	3 - 28
AW01 0091	Photo Reflection Sensor	11 - 22
AW01 0098	Photointerrupter - GP2A231LRSA	13 - 20
AW01 0098	Photointerrupter - GP2A231LRSA	5 - 4
AW02 0012	Photointerruptor	11 - 9
AW02 0056	Photointerruptor - EE-SX4235A-P1	5 - 11
AW02 0086	Photointerruptor	11 - 12

Part No.	Description	Page and Index No.
0313 0040N	Philips Pan Head Screw - M3x4	5 -103
0313 0250N	Philips Pan Head Screw - M3x25	11 -101
0314 0060N	Philips Pan Head Screw - M4x6	15 -106
0314 0060N	Philips Pan Head Screw - M4x6	3 -106
0314 0120N	Philips Pan Head Screw - M4x12	3 -108
0352 0080N	Screw M2.5x8	11 -110
0414 0082N	Binding Self Tapping Screw - M4x8	15 -105
0450 3008N	Tapping Screw - M3x8	3 -107
0450 3008N	Tapping Screw - M3x8	15 -107
0450 3010N	Tapping Screw - M3x10	3 -103
0450 4010N	Tapping Screw - 4x10	3 -105
0450 4025N	Tapping Screw With Washer - M4x25	9 -109
0451 4008H	Tapping Screw - 4x8	15 -108
0451 4008N	Philips Tapping Screw - M4x8	15 -102
0451 4008N	Philips Tapping Screw - M4x8	3 -101
0451 4008N	Philips Tapping Screw - M4x8	13 -106
0451 4008N	Philips Tapping Screw - M4x8	9 -105
0451 4008N	Philips Tapping Screw - M4x8	11 -104
0451 4008N	Philips Tapping Screw - M4x8	7 -101
0451 4008N	Philips Tapping Screw - M4x8	5 -104
0451 4008N	Tapping Screw - 4x8	3 -104
0452 3014N	Tapping Screw - M3x14	11 -111
0452 4010B	Tapping Bind Screw - M4x10	9 -102
0453 3006N	Tapping Screw - M3x6	11 -109
0453 3006N	Tapping Screw - M3x6	13 -107
0453 3010N	Binding Self Tapping Screw - M3x10	11 -108
0573 0030E	Hexagon Headless Set Screw - M3x3	7 -106
0720 0030E	Retaining Ring - M3	5 -106
0720 0040E	Retaining Ring - M4	7 -105
0720 0040E	Retaining Ring - M4	11 -103
0720 0040E	Retaining Ring - M4	5 -101
0720 0050E	Retaining Ring - M5	9 -103
0720 0060E	Retaining Ring - M6	7 -102
0720 0060E	Retaining Ring - M6	9 -110
0720 0060E	Retaining Ring - M6	5 -102

Part No.	Description	Page and Index No.
0742 3808	Ball Bearing - 8x16x5	9 -108
0802 5282	Tapping Screw - M4x8	13 -104
0802 5282	Tapping Screw - M4x8	11 -105
0802 5282	Tapping Screw - M4x8	15 -103
0802 5282	Tapping Screw - M4x8	5 -107
0802 5282	Tapping Screw - M4x8	9 -101
0802 5282	Tapping Screw - M4x8	3 -102
0805 3145	Ball Bearing - 6x12x4mm	7 -107
0805 3270	Ball Bearing - 8x16x5mm	9 -111
0805 3389	Bushing - 8x10x6mm	9 -106
0805 5003	Caster	15 -104
0807 5066	Washer - M8.1xM14x0.3	9 -104
0960 3006B	Philips Flange Screw - M3 X 6	15 -101
1102 4201	Connector - 2P	17 -101
1102 4209	CT Header - 10P	17 -102
1102 4211	CT Header - 12P	17 -103
1102 6245	Relay Connector - 2P	7 -104
1102 6246	Relay Connector - 4P	7 -103
1102 6299	Connector - 6P	17 -104
1102 6301	Connector - 8P	17 -105
1102 6302	Connector - 9P	17 -106
1102 6304	Connector - 11P	17 -107
1102 7029	Connector - 8P - 53375-0810	17 -108
1102 8210	Connector - 2P	17 -109
1104 0413	Connector - 28P	17 -110
1105 0113	Edge - P108	13 -101
1105 0487	Harness Clamp	13 -102
1105 0487	Harness Clamp	11 -107
1105 0508	Harness Clamp - LWS-0711	13 -105
1105 0508	Harness Clamp - LWS-0711	9 -107
1105 0511	Harness Clamp - LWS-0306ZC	5 -105
1105 0511	Harness Clamp - LWS-0306ZC	13 -103
1106 0289	Bushing - Sr-5n-1	11 -106
1109 0016	Circuit Protector - SMD075	17 -111
1204 2582	Switch - V5F910DN	11 -102

Part No.	Description	Page and Index No.
1400 0398	Transistor - 2SC2412K	17 -112
1400 0733	Transistor - 2SD1866	17 -113
1402 1342	Diode - 1SR154-400	17 -114
1402 1380	Diode - PTZ 6.2A	17 -115
1403 0961	Photocoupler - TLP181	17 -116
1407 1596	TTLIC - SN74LS14NS	17 -117
1407 2187	TTLIC - SN74LS07NS	17 -118
1407 2252	TTL - SN74LS257BNS	17 -119
1407 5744	IC - STK672-330	17 -120
1408 0611	IC - 3771	17 -121
1408 0827	IC - TA8429H	17 -122
1503 0865	Oscillator - 9.8304MHZ	17 -123
1601 7751	Resistor - 4.7K Ω \pm 5%	17 -124
1601 7752	Resistor Array - 10K Ω \pm 5%	17 -125
1601 7753	Resistor - 47 Ω \pm 5%	17 -126
1607 0621	Sleeve Core - SFC-4	5 -108
1611 9222	Resistor - 2.2K Ω \pm 5% 1/2W	17 -127
1633 0000	Resistor - 0 Ω 1/10W	17 -128
1640 5100	Capacitor - 10 μ F +20% 50	17 -129
1640 5101	Capacitor - 100 μ F \pm 20% 50V	17 -130
1640 5470	Capacitor - 47 μ F \pm 20% 50V	17 -131
1650 4100	Resistor - 10 Ω \pm 5% 1/10W	17 -132
1650 4102	Resistor - 1K Ω \pm 5% 1/10W	17 -133
1650 4103	Resistor - 10K Ω \pm 5% 1/10W	17 -134
1650 4161	Resistor - 160 Ω \pm 5% 1/10W	17 -135
1650 4201	Resistor - 200 Ω \pm 5% 1/10W	17 -136
1650 4222	Resistor - 2.2K Ω \pm 5% 1/10W	17 -137
1650 4331	Resistor - 330 Ω \pm 5% 1/10W	17 -138
1650 4472	Resistor - 4.7K Ω \pm 5% 1/10W	17 -139
1650 4473	Resistor - 47K Ω \pm 5% 1/10W	17 -140
1650 4562	Resistor - 5.6K Ω \pm 5% 1/10W	17 -141
1650 4682	Resistor - 6.8K Ω \pm 5% 1/10W	17 -142
1654 1001	Resistor - 1K Ω \pm 1% 1/10W	17 -143
1654 4750	Resistor - 475 Ω \pm 1% 1/10W	17 -144
1654 8871	Resistor - 8.87K Ω \pm 1% 1/10W	17 -145

Part No.	Description	Page and Index No.
1660 2220	Capacitor - 22pF \pm 20% 35V	17 -146
1660 2471	Capacitor - 470pF - \pm 5% - 50V	17 -147
1660 4102	Capacitor - 1000pF \pm 10% 50V	17 -148
1660 4103	Capacitor - 10000pF - \pm 10% - 50V	17 -149
1660 8104	Capacitor - 0.1 μ F +80-20% 25V	17 -150

Part No.	Description	Page and Index No.
5215 2621	Snap Ring - M6	5 - 21
5410 1291	Pin	15 - 2
5447 2681	Snap Ring	3 - 17
5447 2681	Snap Ring	5 - 23
5447 2681	Snap Ring	7 - 19
5447 2681	Snap Ring	15 - 1
5447 2706	Gear - 15T	5 - 22
5875 2088	Shoulder Screw - M4	7 - 8
5875 2088	Shoulder Screw - M4	9 - 14
5875 2088	Shoulder Screw - M4	15 - 10

Part No.	Description	Page and Index No.